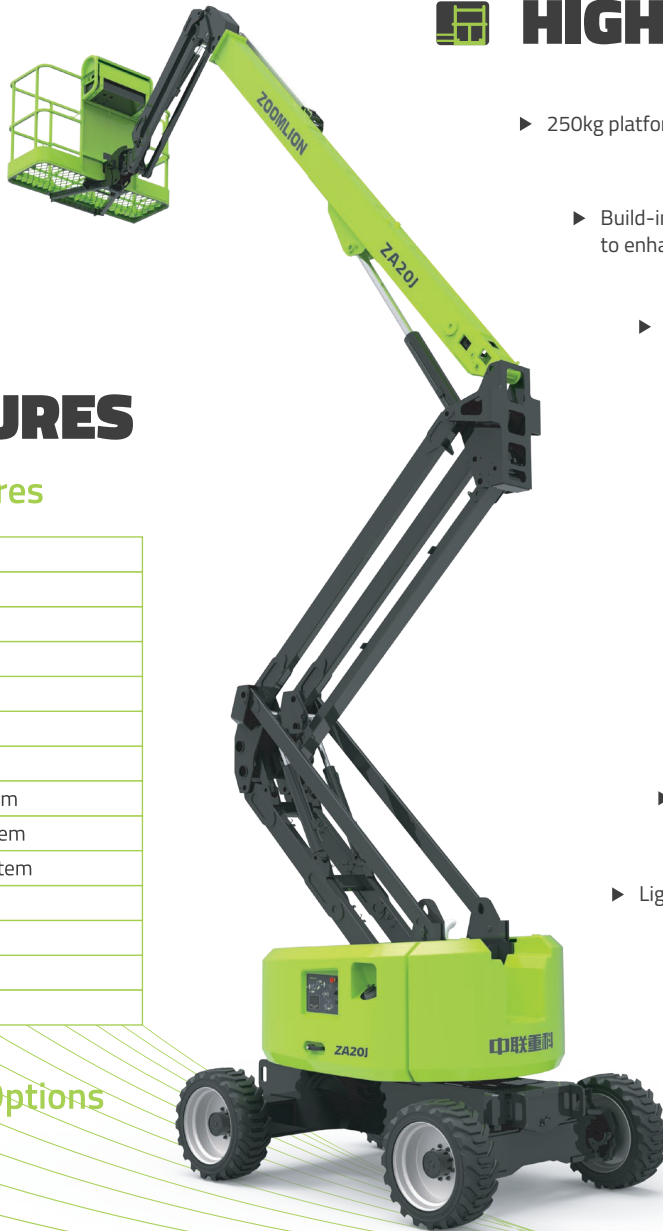


# ZOOMLION

## ARTICULATING BOOM LIFTS

### ZA20J

Comply with CE/ANSI/CSA Standard



### FEATURES

#### Standard Features

Horn
All motion alarm
Proportional control
Self-closing entry gate
Flashing amber beacon
Auto-leveling system
Emergency stop button
Over tilt protection system
Emergency descent system
On-board diagnostic system
Oscillating axle
4.3' LED display
Load sensing system
Swing-out engine tray

#### Accessories & Options

- ▶ Platform work lights
- ▶ AC power to platform

### HIGHLIGHTS

- ▶ 250kg platform capacity for higher efficiency
- ▶ Build-in multiple pressure control leveling system to enhance stability
- ▶ Precise load sensing system to improve overload safety operations
- ▶ Integrated with rotary reducer to enhance rotation stability
- ▶ Hostile Kits available for dusty working environment
- ▶ Deadweight Lowering System for smooth operation and energy efficiency
- ▶ Platform fast lifting function provides high-efficient performance without tower boom operation
- ▶ Lightweight design, low energy consumption

## ACCESS WITH ZOOMLION GREEN

Phone: 0086(731)-88353680 0086(731)-88250971  
E-mail: awm@zoomlion.com

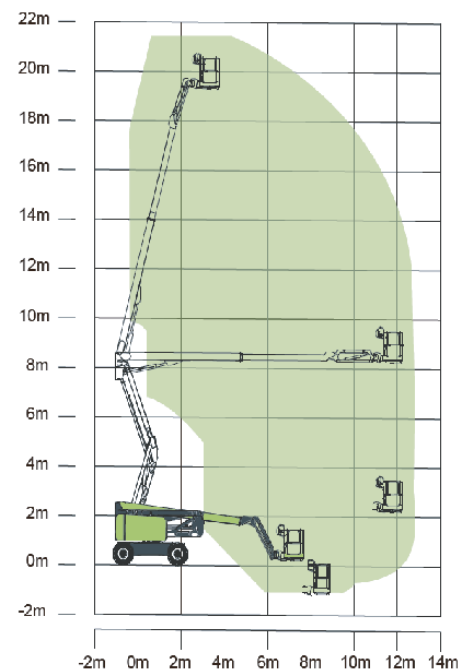
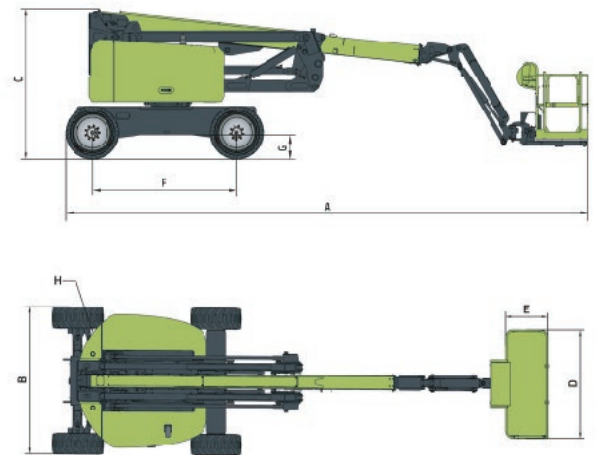
Add: ZOOMLION Wangcheng Industrial Park, Tengfei Road 997, Changsha, Hunan, China  
Web: www.en.zoomlion.com

# MAIN SPECS OF ARTICULATING BOOM LIFTS

## ZA20J

Comply with CE/ANSI/CSA Standard

Model	ZA20J	
	Imperial	Metric
<b>Size</b>		
Work Height	70ft 2in	21.38m
Platform Height	63ft 7in	19.38m
Horizontal Outreach	40ft 4in	12.3m
Up and Over Height	27ft 1in	8.25m
A - Stowed Length	28ft 11in	8.82m
B - Stowed Width	8ft 1in	2.46m
C - Stowed Height	8ft 4in	2.52m
D - Platform Length	8/6ft	2.44/1.83m
E - Platform Width	3ft/2ft 6in	0.91/0.76m
Jib Length	5ft	1.53m
F - Wheelbase	8ft 3in	2.52m
G - Ground Clearance	1ft 5in	0.42m
<b>Performance</b>		
Platform Capacity	550 lb	250kg
Drive Speed	3.79 mph	6.1km/h
Gradeability	45%(24°)	
Axles Oscillation	8in	0.2m
Turning Radius (Inside)	8ft 3in	2.51m
Turning Radius (Outside)	17ft 11in	5.47m
Turntable Swing	360° continuous	
Platform Rotation	±90°	
H-Tail Swing	1ft 4in	0.4m
Max. Wind Speed	5°	
Max. Wind Speed	28mph	12.5m/s
<b>Power</b>		
Diesel Engine	Kubota V2403	
Engine Power	49hp/2600rpm	36kw/2600rpm
Fuel Tank Capacity	39.6 (us gal)	150L
Auxiliary Power	12V	
Control Voltage	12V	
Hydraulic System Capacity	42.3 (us gal)	160L
Hydraulic Tank Capacity	19.8 (us gal)	75L
<b>Tire</b>		
Type	33x12/D610 Foam-filled Tires	
<b>Weight</b>		
Gross	22046 lb	10000kg



Range of Motion ZA20J