

ROUGH-TERRAIN CRANE RT35



ZOOMLION

Zoomlion Heavy Industry Science & Technology Co.,Ltd.

Add:Zoomlion Overseas Building, No.613, 3rd Section, Furong Middle Road, Yuhua District, Changsha, Hunan, P.R.China 410205

Copyright © 2015 Zoomlion. All rights reserved. Reproduction and copying of any part of the Contents is not allowed for any purposes without Zoomlion's written approval.
Note: No product coating appearance shall be subject to sample.



ZOOMLION

Features

Maneuverable and robust drive

1. Four-wheel drive and four-wheel steer chassis
2. Fully hydraulic steering system
3. Variable steering modes, front-wheel steer, four-wheel steer and crab steer; short vehicle length and small turning radius provide the crane with maximum maneuverability and flexibility in narrow job sites.

Excellent off-road capability

Big ground clearance and departure / approach angle offer excellent off-road capability.

Strong gradeability

1. Cummins electronically-controlled engine, automated transmission and steerable drive axles provide reliable power output
2. Even in the condition of abrupt road resistance, the engine can also be functional
3. Four-wheel drive, hydraulic suspension and special tires optimize the vehicle's drive performance to its maximum, suitable for any bad roads and job sites.

Pick-and-carry operations

1. The rough terrain crane has the ability to pick and carry loads, thus improves the working efficiency greatly
2. The crane can also carry out "On tires" Lifts without extending the outrigger beams in narrow job sites
3. Superior pick-and-carry ability during short-distance transit can bring great convenience to the users.

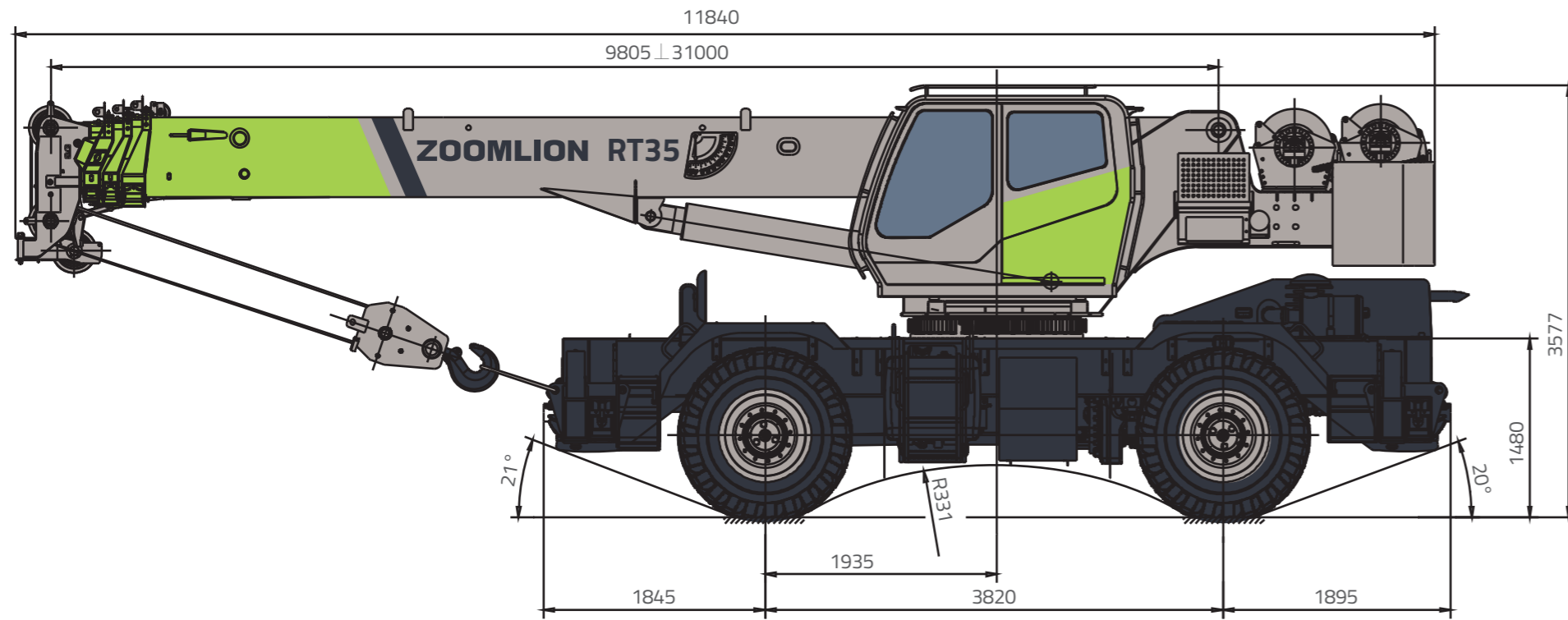
Single cab design

1. Single cab design with large skylight provides large field of view
2. Air-cushioned seat suits to all types of figures, which can release the driver's or operator's fatigue, thus improves the working efficiency
3. The crane is fitted with air conditioning, suitable for all-weather work
4. Digital display and keyboard units, advanced data bus technology, error check and audible & acoustic alarm ensure the safety and high efficiency of the operation.

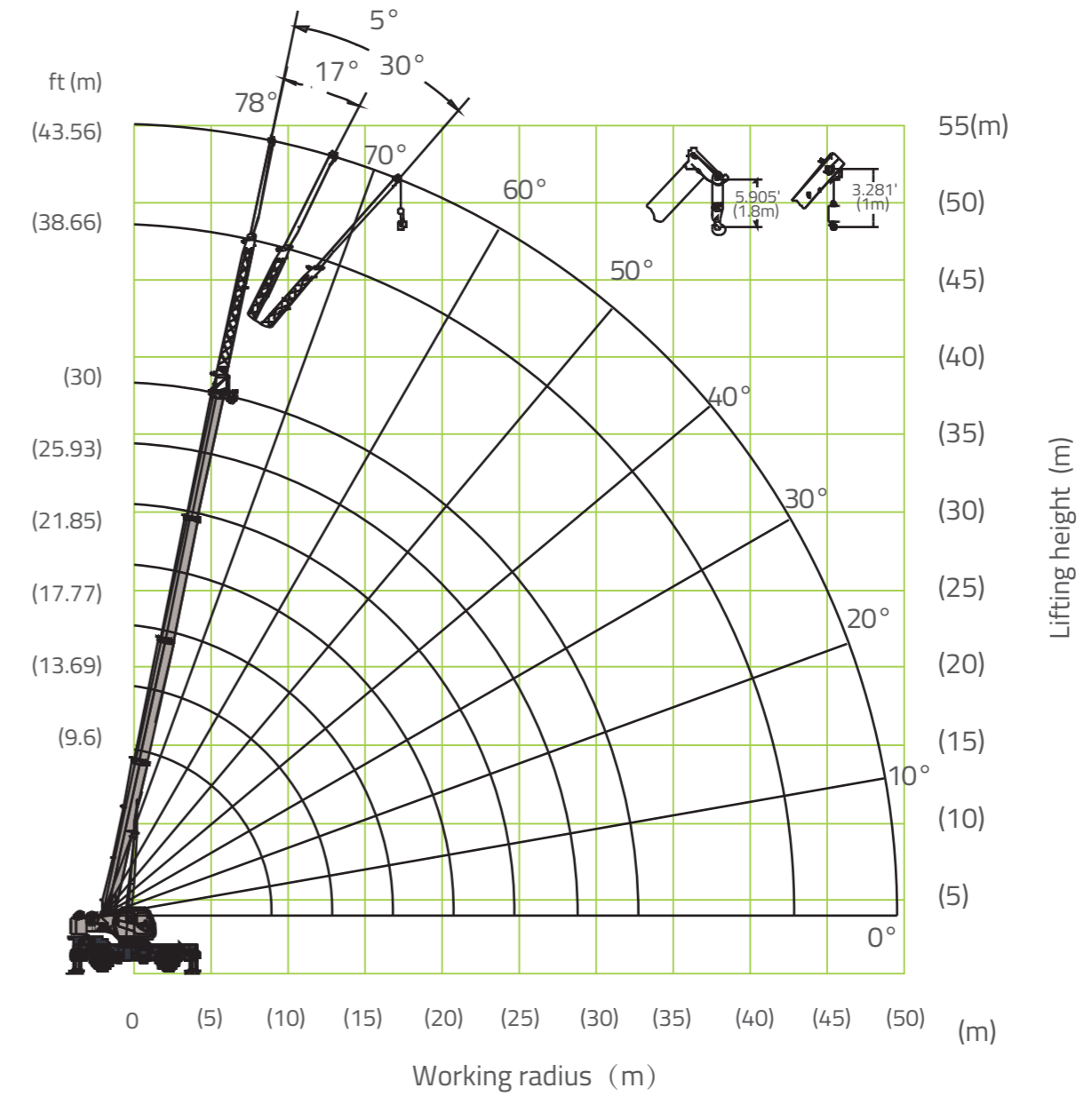
Technical Data

	Items	Unit	Value
Work performance	Max. rated lift capacity × work radius	kg.m	35000×3.0
	Max. load moment of basic boom	kN.m	1344
	Max. load moment of fully extended main boom	kN.M	870
	Max. lift height of fully extended main boom	m	31
	Max. lift height of jib	m	46
Dimensions	Overall dimensions (L×W×H)	mm	11935×2980×3600
	Outrigger spread (L×W)	mm	6810×6800
	Main boom length (Fully retracted fully extended)	mm	9800~31000
	Jib length (Jib section 1,jib sections 1+2)	mm	9088~15028
	Boom angle	°	-3~78
	Swing range	°	360
Work speeds	Max. hoist rope speed (Main winch)	m/min	150
	Min. boom extend time	s	70
	Min. boom retract time	s	75
	Min. boom derrick up time	s	46
	Min. boom derrick down time	s	47
	Swing speed	r/min	0~2.5
Hydraulic system	Rated work pressure	MPa	27
	Rated work oil flow	L/min	400
	Hydraulic oil tank capacity	L	600
Mass	Complete vehicle mass	kg	32000
	Front axle load	kg	15030
	Rear axle load	kg	16970
Travel	Max. travel speed (Forwards / backwards)	km/h	38/15
	Wheelbase	mm	3820
	Treads (Front / rear)	mm	2444

Overall View(Unit: Metric mm)



Lifting Height Chart



Lifting Capacity Tables

On Outriggers-fully Extended

BOOM LENGTH 9805mm				13338mm				16870mm				20403mm			
LOAD RADIUS (mm)	BOOM ANGLE (°)	FRONT (kg)	360° (kg)	LOAD RADIUS (mm)	BOOM ANGLE (°)	FRONT (kg)	360° (kg)	LOAD RADIUS (mm)	BOOM ANGLE (°)	FRONT (kg)	360° (kg)	LOAD RADIUS (mm)	BOOM ANGLE (°)	FRONT (kg)	360° (kg)
3000	64.7	35000	35000	3000	71.8	20270	20270	3000				3000			
3500	61.3	35000	35000	3500	69.5	20270	20270	3500				3500			
4000	57.7	32950	32950	4000	67.2	20270	20270	4000	72.2	19650	19650	4000			
4500	54.0	29600	29600	4500	64.7	20270	20270	4500	70.4	19650	19650	4500			
5000	50.1	26800	26800	5000	62.3	20270	20270	5000	68.5	19650	19650	5000	72.4	18650	18650
6000	41.3	22400	22400	6000	57.1	20270	20270	6000	64.8	19650	19650	6000	69.4	17100	17100
7000	30.1	19040	19040	7000	51.6	19250	19230	7000	60.9	19650	19650	7000	66.4	15740	15740
7982	0.0	14740	14740	8000	45.6	15970	15480	8000	56.8	16170	15680	8000	63.2	14650	14650
				9000	38.8	12680	12280	9000	52.5	12860	12460	9000	59.9	12870	12470
				10000	30.6	10400	10060	10000	47.9	10560	10210	10000	56.6	10560	10220
				11000	19.0	8750	8460	11000	42.9	8860	8570	11000	53.0	8870	8580
				11507	0.0	8170	7890	12000	37.4	7570	7310	12000	49.3	7580	7320
								13000	30.9	6560	6330	13000	45.4	6560	6320
								14000	22.6	5750	5540	14000	41.1	5740	5520
								15000	6.2	5130	4930	15000	36.4	5060	4870
								15035	0.0	5130	4930	16000	31.1	4500	4320
												17000	24.6	4030	3870
												18000	15.6	3650	3490
												18565	0.0	3520	3370

Lifting Capacity Tables

On Outriggers-fully Extended

BOOM LENGTH 23935mm				27468mm				31000mm			
LOAD RADIUS (mm)	BOOM ANGLE (°)	FRONT (kg)	360° (kg)	LOAD RADIUS (mm)	BOOM ANGLE (°)	FRONT (kg)	360° (kg)	LOAD RADIUS (mm)	BOOM ANGLE (°)	FRONT (kg)	360° (kg)
6000	72.6	14100	14100	6000				6000			
7000	70.1	13050	13050	7000	72.7	11350	11350	7000			
8000	67.5	12200	12200	8000	70.5	10650	10650	8000	72.8	9450	9450
9000	64.8	11450	11450	9000	68.3	10000	10000	9000	70.9	8950	8950
10000	62.1	10680	10340	10000	66.0	9450	9450	10000	68.9	8500	8500
11000	59.3	8980	8680	11000	63.6	8940	8650	11000	66.9	7740	7740
12000	56.4	7670	7410	12000	61.3	7640	7380	12000	64.8	7100	7100
13000	53.4	6650	6410	13000	58.8	6620	6390	13000	62.7	6550	6440
14000	50.3	5810	5600	14000	56.3	5790	5580	14000	60.6	5840	5630
15000	47.0	5130	4940	15000	53.7	5110	4910	15000	58.4	5150	4960
16000	43.6	4550	4380	16000	51.0	4530	4350	16000	56.2	4580	4400
17000	39.8	4070	3900	17000	48.2	4040	3880	17000	53.9	4090	3920
18000	35.8	3650	3500	18000	45.3	3630	3470	18000	51.5	3660	3510
19000	31.2	3290	3150	19000	42.2	3260	3120	19000	49.1	3300	3150
20000	25.9	2980	2850	20000	38.8	2950	2810	20000	46.5	2980	2840
21000	19.1	2720	2590	21000	35.3	2670	2540	21000	43.9	2690	2570
22000	6.9	2510	2390	22000	31.3	2430	2310	22000	41.1	2440	2320
22096	0.0	2510	2390	23000	26.8	2210	2100	23000	38.1	2220	2100
				24000	21.3	2030	1920	24000	34.9	2020	1910
				25000	13.8	1870	1770	25000	31.4	1840	1740
				25627	0.0	1830	1730	26000	27.4	1680	1580
								27000	22.9	1540	1440
								28000	17.1	1410	1320
								29000	7.1	1320	1230
								29158	0.0	1320	1230

Lifting Capacity Tables

On Outriggers-Mid Postion

9805mm			13338mm			16870mm			20403mm		
LOAD RADIUS (mm)	BOOM ANGLE (°)	360° (kg)	LOAD RADIUS (mm)	BOOM ANGLE (°)	360° (kg)	LOAD RADIUS (mm)	BOOM ANGLE (°)	360° (kg)	LOAD RADIUS (mm)	BOOM ANGLE (°)	360° (kg)
3000	64.7	35000	3000	71.8	20270	3000			3000		
3500	61.3	33400	3500	69.5	20270	3500			3500		
4000	57.7	29600	4000	67.2	20270	4000	72.2	20000	4000		
4500	54.0	26500	4500	64.7	20270	4500	70.4	20000	4500		
5000	50.1	21850	5000	62.3	20270	5000	68.5	20000	5000	72.4	18650
6000	41.3	15020	6000	57.1	15350	6000	64.8	15560	6000	69.4	15560
7000	30.1	11180	7000	51.6	11460	7000	60.9	11640	7000	66.4	11650
7982	0.0	8890	8000	45.6	8970	8000	56.8	9140	8000	63.2	9140
			9000	38.8	7240	9000	52.5	7390	9000	59.9	7400
			10000	30.6	5980	10000	47.9	6110	10000	56.6	6120
			11000	19.0	5040	11000	42.9	5140	11000	53.0	5140
			11507	0.0	4720	12000	37.4	4370	12000	49.3	4370
						13000	30.9	3750	13000	45.4	3750
						14000	22.6	3260	14000	41.1	3240
						15000	6.2	2880	15000	36.4	2820
						15035	0.0	2880	16000	31.1	2460
									17000	24.6	2170
									18000	15.6	1930
									18565	0.0	1870

Lifting Capacity Tables

On Outriggers-Mid Postion

23935mm			27468mm			31000mm		
LOAD RADIUS (mm)	BOOM ANGLE (°)	360° (kg)	LOAD RADIUS (mm)	BOOM ANGLE (°)	360° (kg)	LOAD RADIUS (mm)	BOOM ANGLE (°)	360° (kg)
6000	72.6	14100	6000			6000		
7000	70.1	11780	7000	72.7	11350	7000		
8000	67.5	9260	8000	70.5	9220	8000	72.8	9260
9000	64.8	7510	9000	68.3	7470	9000	70.9	7510
10000	62.1	6220	10000	66.0	6190	10000	68.9	6220
11000	59.3	5230	11000	63.6	5200	11000	66.9	5250
12000	56.4	4460	12000	61.3	4430	12000	64.8	4480
13000	53.4	3830	13000	58.8	3810	13000	62.7	3850
14000	50.3	3310	14000	56.3	3290	14000	60.6	3340
15000	47.0	2880	15000	53.7	2860	15000	58.4	2900
16000	43.6	2510	16000	51.0	2490	16000	56.2	2530
17000	39.8	2200	17000	48.2	2180	17000	53.9	2220
18000	35.8	1930	18000	45.3	1910	18000	51.5	1940
19000	31.2	1700	19000	42.2	1670	19000	49.1	1700
20000	25.9	1500	20000	38.8	1460	20000	46.5	1490
21000	19.1	1330	21000	35.3	1280	21000	43.9	1300
22000	6.9	1200	22000	31.3	1120	22000	41.1	1130

Lifting Capacity Tables

On Outriggers-Fully Retracted

9805mm			13338mm			16870mm			20403mm		
LOAD RADIUS (mm)	BOOM ANGLE (°)	360° (kg)	LOAD RADIUS (mm)	BOOM ANGLE (°)	360° (kg)	LOAD RADIUS (mm)	BOOM ANGLE (°)	360° (kg)	LOAD RADIUS (mm)	BOOM ANGLE (°)	360° (kg)
3000	64.7	25310	3000	71.8	20270	3000			3000		
3500	61.3	18610	3500	69.5	18970	3500			3500		
4000	57.7	14490	4000	67.2	14820	4000	72.2	15010	4000		
4500	54.0	11700	4500	64.7	12000	4500	70.4	12190	4500		
5000	50.1	9690	5000	62.3	9970	5000	68.5	10150	5000	72.4	10140
6000	41.3	6990	6000	57.1	7240	6000	64.8	7410	6000	69.4	7410
7000	30.1	5270	7000	51.6	5500	7000	60.9	5650	7000	66.4	5650
7982	0.0	4200	8000	45.6	4290	8000	56.8	4430	8000	63.2	4430
			9000	38.8	3410	9000	52.5	3540	9000	59.9	3540
			10000	30.6	2740	10000	47.9	2850	10000	56.6	2860
			11000	19.0	2230	11000	42.9	2320	11000	53.0	2320
			11507	0.0	2080	12000	37.4	1890	12000	49.3	1890
						13000	30.9	1540	13000	45.4	1540
						14000	22.6	1260	14000	41.1	1240
						15000	6.2	1060	15000	36.4	1000

Lifting Capacity Tables

On Tires

23935mm			27468mm			31000mm		
LOAD RADIUS (mm)	BOOM ANGLE (°)	360° (kg)	LOAD RADIUS (mm)	BOOM ANGLE (°)	360° (kg)	LOAD RADIUS (mm)	BOOM ANGLE (°)	360° (kg)
6000	72.6	7530	6000			6000		
7000	70.1	5760	7000	72.7	5720	7000		
8000	67.5	4540	8000	70.5	4500	8000	72.8	4540
9000	64.8	3640	9000	68.3	3600	9000	70.9	3640
10000	62.1	2950	10000	66.0	2920	10000	68.9	2950
11000	59.3	2400	11000	63.6	2380	11000	66.9	2420
12000	56.4	1970	12000	61.3	1940	12000	64.8	1980
13000	53.4	1610	13000	58.8	1590	13000	62.7	1630
14000	50.3	1310	14000	56.3	1290	14000	60.6	1330
15000	47.0	1060	15000	53.7	1040	15000	58.4	1080

9805mm					13338mm				
LOAD RADIUS (mm)	BOOM ANGLE (°)	360° (kg)	OVER FONT (kg)	FRONT DRIVING (°)	LOAD RADIUS (mm)	BOOM ANGLE (°)	360° (kg)	OVER FONT (kg)	FRONT DRIVING (°)
3000	64.7	14340	23400	17650	3000	71.8	14560	20270	17850
3500	61.3	12200	20800	15640	3500	69.5	12430	20720	15800
4000	57.7	10560	18650	13930	4000	67.2	10760	18810	14140
4500	54.0	9180	16820	12500	4500	64.7	9410	16990	12720
5000	50.1	7660	15260	11300	5000	62.3	7920	15460	11480
6000	41.3	5370	11240	9370	6000	57.1	5610	11490	9570
7000	30.1	3890	8550	7740	7000	51.6	4110	8770	7950
7982	0.0	2970	6890	6090	8000	45.6	3050	6950	6130
					9000	38.8	2280	5660	4840
					10000	30.6	1700	4690	3880
					11000	19.0	1250	3960	3150
					11507	0.0	1130	3720	2920

Lifting Capacity Tables

On Tires

16870mm					20403mm				
LOAD RADIUS (mm)	BOOM ANGLE (°)	360° (kg)	OVER FONT (kg)	FRONT DRIVING (°)	LOAD RADIUS (mm)	BOOM ANGLE (°)	360° (kg)	OVER FONT (kg)	FRONT DRIVING (°)
4000	72.2	10900	18890	14220	3000				
4500	70.4	9540	17100	12820	3500				
5000	68.5	8090	15600	11630	4000				
6000	64.8	5770	11660	9690	4500				
7000	60.9	4250	8920	8100	5000	72.4	8080	15590	11610
8000	56.8	3190	7090	6270	6000	69.4	5760	11660	9680
9000	52.5	2410	5780	4960	7000	66.4	4250	8930	8100
10000	47.9	1810	4800	3990	8000	63.2	3190	7100	6270
11000	42.9	1330	4050	3230	9000	59.9	2410	5790	4960
12000	37.4		3440	2630	10000	56.6	1800	4810	3980
13000	30.9		2950	2140	11000	53.0	1330	4050	3220
14000	22.6		2560	1750	12000	49.3		3440	2620
15000	6.2		2260	1460	13000	45.4		2950	2130
15035	0.0		2260	1460	14000	41.1		2540	1720
					15000	36.4		2200	1380
					16000	31.1		1920	1100
					17000	24.6		1680	
					18000	15.6		1490	
					18565	0.0		1440	

Lifting Capacity Tables

On Outriggers-Fully Extended

BOOM ANGLE (DEG)	9000mm OFFSETABLE JIB						15000mm OFFSETABLE JIB					
	0° OFFSET		20° OFFSET		40° OFFSET		0° OFFSET		20° OFFSET		40° OFFSET	
	LOAD RADIUS (mm)	360° (kg)	LOAD RADIUS (mm)	360° (kg)	LOAD RADIUS (mm)	360° (kg)	LOAD RADIUS (mm)	360° (kg)	LOAD RADIUS (mm)	360° (kg)	LOAD RADIUS (mm)	360° (kg)
76	8072	3000	10900	1800	13127	1100	9764	2400	14811	940	18785	550
74	9454	3000	12237	1650	14387	1050	11382	2050	16348	900	20186	550
72	10823	3000	13557	1550	15628	990	12985	1850	17863	800	21559	490
70	12177	3000	14858	1450	16848	940	14569	1650	19354	750	22905	490
68	13514	2850	16139	1400	18045	940	16134	1450	20819	700	24220	450
66	14831	2550	17398	1300	19217	900	17676	1350	22256	650	25503	450
64	16129	2350	18633	1250	20364	900	19195	1200	23664	650	26754	400
62	17404	2150	19844	1200	21484	850	20688	1100	25041	600	27969	400
60	18656	1990	21028	1150	22576	850	22153	990	26386	550	29148	400
58	19883	1850	22184	1100	23637	800	23590	940	27695	550	30289	350
56	21084	1700	23311	1050	24668	800	24995	850	28969	490	31391	350
54	22257	1600	24407	990	25666	800	26368	800	30205	490	32453	350
52	23400	1500	25472	940	26631	750	27706	750	31403	450	33472	350
50	24513	1400	26503	940	27561	750	29008	700	32559	450	34449	350
48	25593	1290	27499	900	28456	750	30273	650	33674	400	35381	300
46	26640	1160	28460	850	29313	750	31498	600	34746	400	36269	300
44	27652	1040	29383	850	30132	700	32683	600	35773	400	37109	300
42	28629	940	30269	800	30913	700	33826	550	36754	350	37902	300
40	29568	850	31116	800	31653	700	34926	490	37688	350	38647	300
38	30469	770	31922	730	32353	700	35980	490	38574	350	39343	300